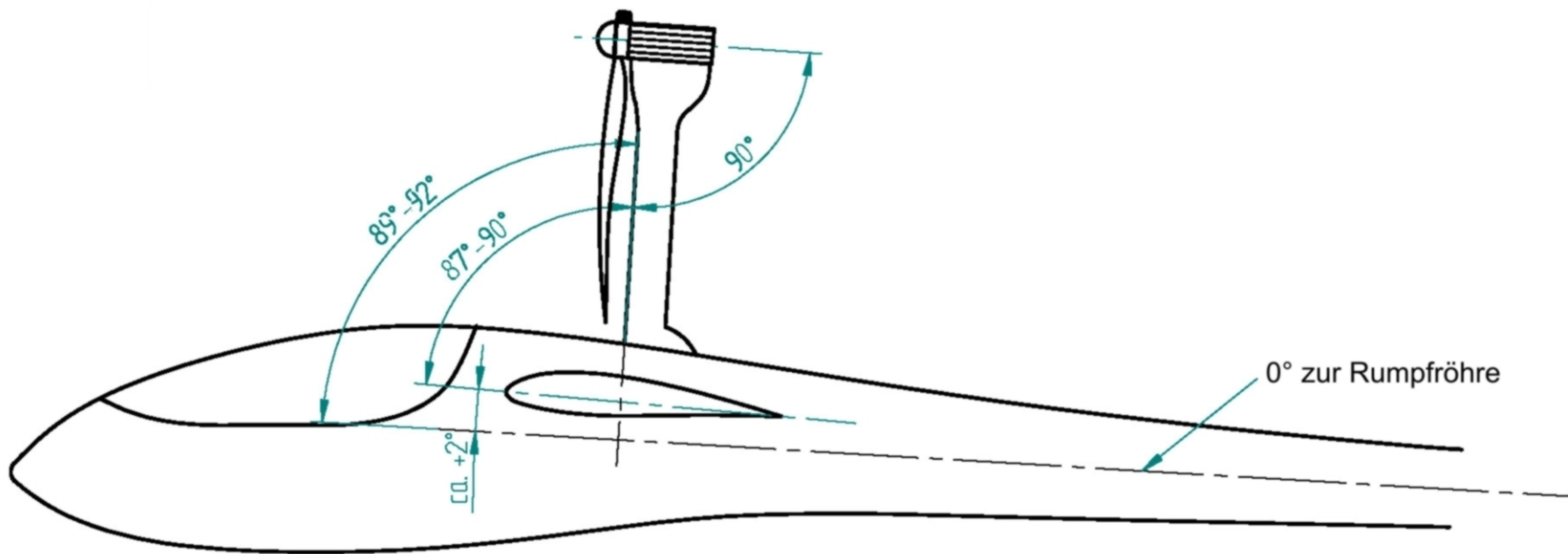


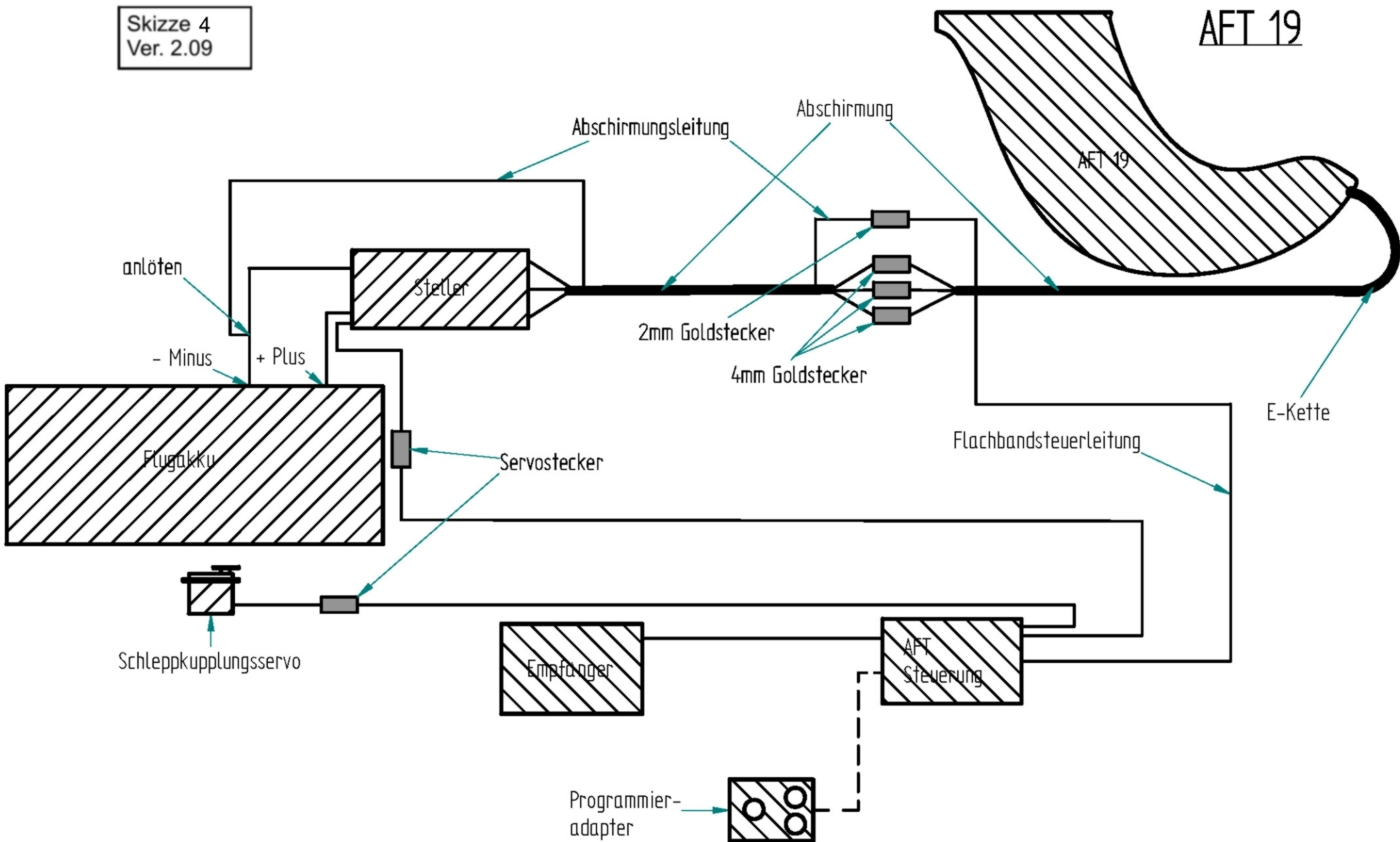
Skizze 3  
Ver. 2.09

AFT 19



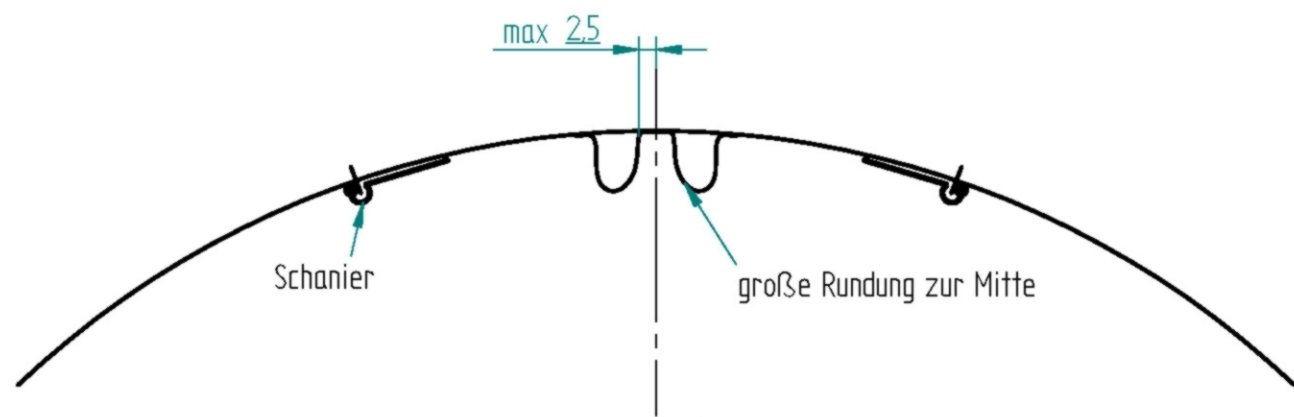
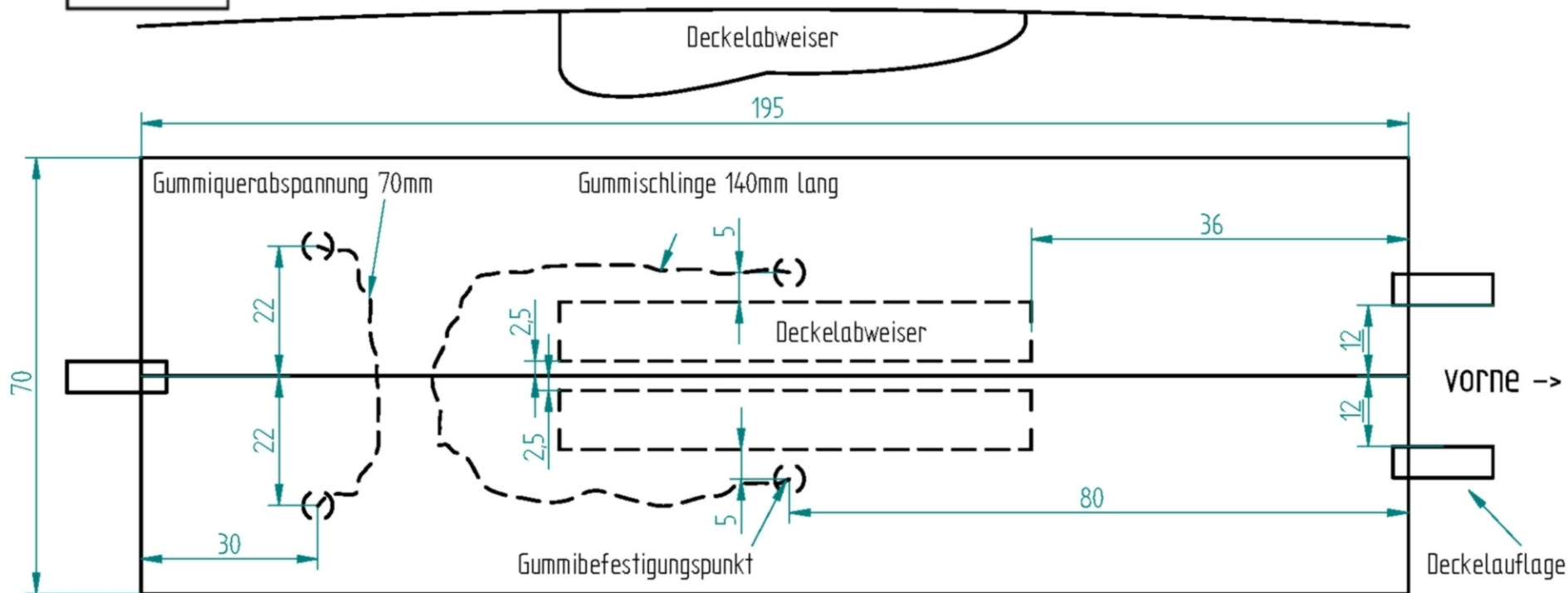
Skizze 4  
Ver. 2.09

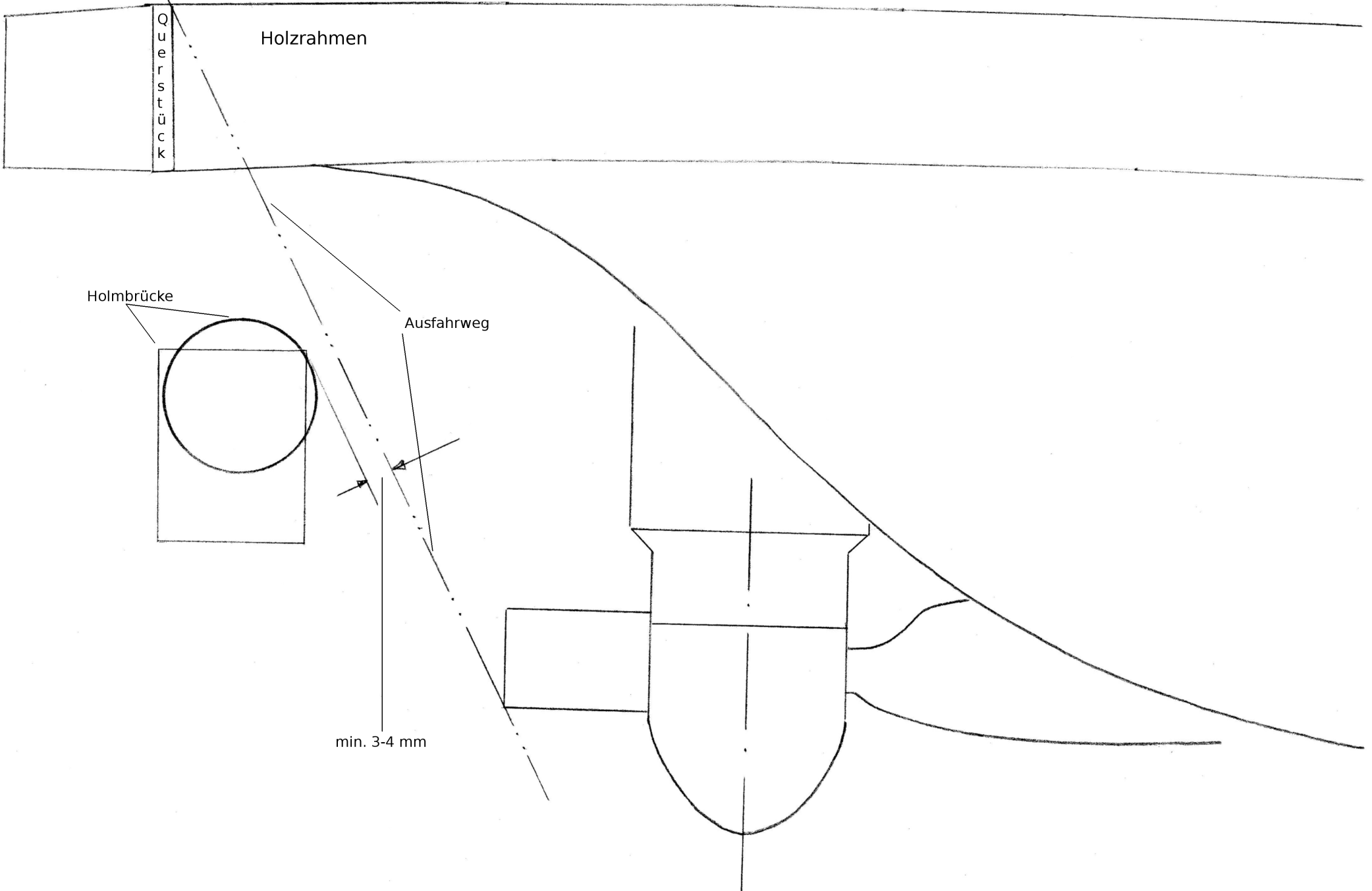
AFT 19



Skizze 5  
Ver. 2.09

AFT 19





Durchmesser 500 mm

AFT19

